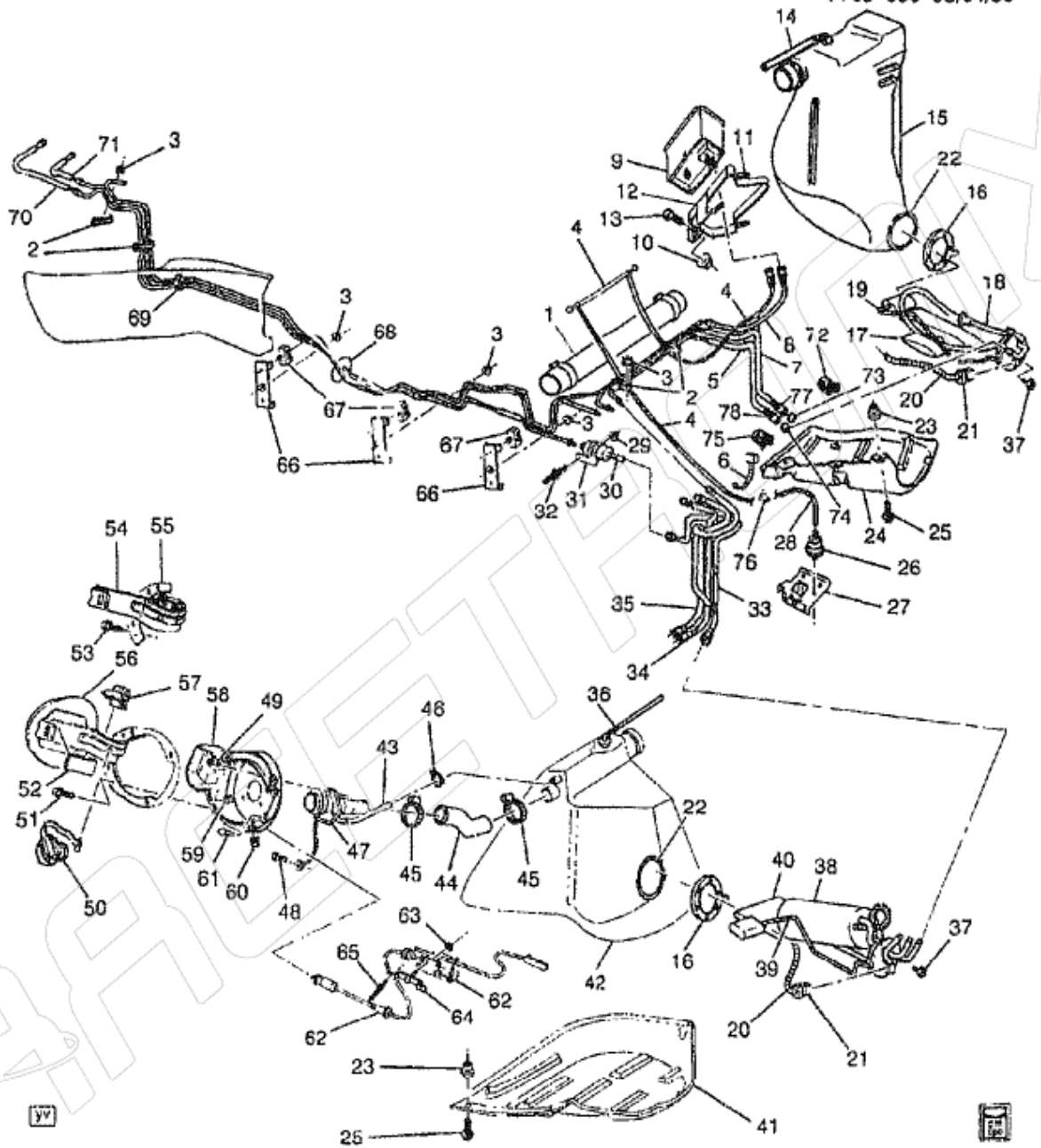


1Y03-033 06/04/99



1997-1998 Y FUEL SUPPLY SYSTEM

1Y03-033

1.	2-D11	3.163	HOSE, FUEL FEED (CROSSOVER 2.75 DIAMETER) ..	97-98 Y	1	10292053
2.	2-D11	3.162	CLIP FUEL FRT PIPE (PART OF 68)	97-98 Y	4	10276208

© 2001 GENERAL MOTORS SERVICE PARTS OPERATIONS-CHEVROLET-15Y

(9-01)

2-14

3.000-GROUP

3.		8.917	NUT, HEX W/CON V/A 6X1X5.5 16-OD ZP 9 (FUEL FEED & RTN PIPE RET) (HOLDS CLIP TO STUD)	97-98		6	11517293
4.	2-D9	3.120	HOSE, EVAP EMIS RR	97-98	Y	1	10298122
5.	2-D11	3.163	PIPE, FUEL SDR FUEL FEED (PIPE JET PUMP TO LH TK) (INCLS 74, 75, 78)	97-98	Y	1	10404930
6.		N.S. 8.965	CONNECTOR, FUEL FEED PIPE STRAP, ADJ TIE (F/INJN' FUEL FEED HOSE) (AC-DELCO #12337820)	97-98		5	12337820
7.	2-D11	3.163	HOSE, FUEL FEED RR C/OVR (INCLS 72, 73, 77)	97-98	Y	1	10404929
8.	2-D10	3.145	HOSE, EVAP EMIS CNSTR PURGE (3.107)	97-98	Y	1	10276212
9.	2-D10	3.130	CANISTER, EVAP EMIS (AC-DELCO #215-182)	97-98	Y (LS1)	1	17113335
10.		8.917	NUT, HEX W/CON WA 6X1X5.5 16-OD ZP 9 (EVAP EMIS CNSTR BRKT)	97-98		2	11517293
11.		N.S.	STUD, EVAP EMIS CNSTR BRKT			2	
12.	2-D10	3.130	BRACKET, EVAP EMIS CNSTR	97-98	Y	1	10287787
13.		8.800	BOLT, HFH M6X1X25, 9.8 7114M, 14.20D HDR PT FULL THD (EVAP EMIS CNSTR BRKT)	97-98		1	11516424
		N.S.	NUT, EVAP EMIS CNSTR BRKT BOLT			1	
14.	2-D9	3.120	HOSE, F/TNK VENT VLV (PART OF 15)	97-98	Y	1	10276201
15.	2-D8	3.001	TANK, FUEL (INCLS 14, 16-19, 22, 37) (INCLS HOSES, MODULES, TANKS, BOLTS, SEAL)	97-98	Y	RH	10292054
16.		N.S.	GASKET, FUEL SDR (PART OF 15, 42)				
17.		N.S.	STRAINER, FUEL PMP FUEL (PART OF 15)			2	
18.	2-D8	3.001	TANK KIT, FUEL (PART OF 15)	97-98	Y	RH	12458238
19.	2-D9	3.107	MODULE KIT, F/TNK F/PMP (PART OF 15) (AC-DELCO #MU1007)	97-98	Y	RH	88896043
	2-D28	3.000	MODULE KIT, F/TNK F/PMP (PART OF 15) (3.107) (AC-DELCO #MU1007)	97-98	Y	RH	88896043
20.	2-A18	2.480	HARNES, F/PMP WRG (INCLS 21)	97-98	Y	1	12130416
21.	2-D9	3.107	CONNECTOR, SEN-FUEL LVL (FUEL PUMP WRG HARN CONN TO FUEL TK) (PART OF 20) (4-WAY F) (W/LEADS) (2.383) (AC-DELCO #PT757)	97-98	Y	2	12126487
22.	2-D9	3.112	SEAL, FUEL SDR (PART OF 15, 42) (AC-DELCO #G4)	97-98	Y	2	12458250
23.	2-D8	3.023	NUT, F/TNK STRP (3.015)	97-98	Y	4	10281493
24.	2-D8	3.015	STRAP, F/TNK SHLD	97-98	Y	RH	10291216

				1500-033	
25.	8.900	BOLT-HEX, M8X1.25X30, 22 THD, 24MM OD, 9.8, 7114M (F/TNK STRP)	97-98	Y	10 11516594
26.	2-D8	3.120	VENT, F/TNK	97-98	Y 1 10288121
27.	2-N24	12.886	BRACE, R/CMPT PNL (127.9X126.3X66.5)	97-98	Y LH 10263883
	2-N24	12.886	BRACE, R/CMPT PNL (127.9X126.3X73.1)	97-98	Y RH 10299078
28.	2-D8	3.120	HOSE, EVAP EMIS	97-98	Y 1 10288123
29.		8.917	NUT, HEX W/CON WA 6X1X5.5 16-OD ZP 9 (FUEL FLTR BRKT)	97-98	Y 1 11517293
30.	2-D28	3.890	FILTER, FUEL (INCLS 31) (W/BRKT) (AC-DELCO #GF820)	97-98	Y (LS1) 1 10287788
31.	2-D28	3.890	BRACKET, FUEL FLTR (PART OF 30)	97-98	Y 1 10253390
32.	2-D28	3.890	STUD, FUEL FLTR BRKT (2.559)	97-98	Y 1 10278878
33.	2-D11	3.163	HOSE, FUEL FEED RR (W/CHECK VALVE)	97-98	Y 1 10413424
34.	2-D11	3.163	HOSE, FUEL RTN RR	97-98	Y 1 10404927
35.	2-D11	3.163	HOSE, FUEL SDR FUEL FEED	97-98	Y 1 10404931
		N.S.	CONNECTOR, FUEL FEED PIPE		
36.	2-D8	3.120	HOSE, F/TNK VENT VLV (PART OF 42)	97-98	Y 1 10276201
37.		N.S.	BOLT, FUEL SDR (PART OF 15)		
38.	2-D8	3.001	TANK KIT, FUEL (PART OF 42)	97-98	Y LH 12450239
39.		DISCON	MODULE, F/TNK F/PMP (PART OF 42)	97-98	Y LH 12455734
		DISCON	MODULE, F/TNK F/PMP (PART OF 42) (3.107)	97-98	Y LH 12455734
	2-D8	3.107	MODULE, F/TNK F/PMP (PART OF 42) (AC-DELCO #MU245)	97-98	Y LH 12458243
	2-D28	3.900	MODULE, F/TNK F/PMP (PART OF 42) (3.107) (AC-DELCO #MU245)	97-98	Y LH 12458243
40.	2-D8	3.110	STRAINER, F/PMP FUEL (PART OF 42) (3.107)	97-98	Y LH 12533419
	2-D8	3.110	STRAINER KIT, FUEL (PART OF 42) (AC-DELCO #TS1004)	97-98	Y LH 12458245
41.	2-D8	3.015	STRAP, F/TNK SHLD	97-98	Y LH 10403525
42.	2-D8	3.001	TANK, FUEL (INCLS 16, 22, 36, 38-40, 43-44) (INCLS HOSES, MODULES, TANK, SEAL, STRAINER)	97-98	Y LH 10410831
43.	2-D8	3.120	HOSE, F/TNK VENT (PART OF 42)	97-98	Y 1 10292057
44.	2-D8	3.003	HOSE, F/TNK FIL (PART OF 42)	97-98	Y LH 10404104
45.		8.948	CLAMP, 28.6-86.2 DIA WORM GEAR (FUEL FEED HOSE) (AC-DELCO #12338017)	97-98	Y 1 12338017
46.	2-D8	3.120	CLAMP, F/TNK FIL VENT HOSE (2.75 DIA) (3.417)	97-98	Y 1 10039976
47.	2-D8	3.120	PIPE, F/TNK FIL VENT	97-98	Y 1 10417554
48.		8.977	SCREW, HEX W/FL WA TAP 6.3X1.81X16 17-OD AB-POINT PZOR BLK (F/TNK FIL PIPE GND)	97-98	Y 1 11509371
49.		8.977	BOLT, SCR HEX W/FLAT WA 12 DIA TYPE AB (F/TNK FIL VENT PIPE)	97-98	Y 3 11509374

50.	2-D8	3.028	CAP, F/TNK FIL (W/HDL) (AC-DELCO #22616286)	97-98 Y	1	22616286
51.		8.977	SCREW, HEX W/FL WA M4.2X2.26X20 TAP POR (F/TNK FIL PIPE HSG)	97-98	5	11508443
52.		N.S.	TAPE, F/TNK FIL DR BLACKOUT	1	
53.		8.977	BOLT-SCREW, M4.2X1.41X13, 5.4 THD, 12.5 OD, GM6172M, GM6138M (F/TNK FIL DR HGE) ..	97-98	2	15714277
54.	2-N24	12.945	BUMPER, F/TNK FIL DR HGE (PART OF 56) (10.263)	97-98 Y	1	10276643
55.		N.S.	HINGE, F/TNK FIL DR (PART OF 56)		
56.	2-N24	12.945	DOOR, F/TNK FIL (SMC DR W/STEEL HGE) (INCLS 54-55) ..	97-98 Y	1	10429498
57.	2-D8	3.028	HOLDER, F/TNK FIL CAP	97-98 Y	1	10284784
58.	2-D8	3.003	HOUSING, F/TNK FIL PIPE (POCKET) (INCLS 60-61)	97-98 Y	1	10401497
59.	2-N24	12.945	NUT, F/TNK FIL DR LK ACTR (TO PKT. POSN #1) (M6X1.0X4.3) (HEX)	97-98 Y	1	3537631
60.		8.921	NUT, U-SHAPED, M4.2X1.41 THD, PZOR, PNL 3.2-6.35, 14MM WIDE, 19MM LNG, C TO E 9 (F/TNK FIL PIPE HSG) (PART OF 58)	97-98	5	11509755
61.	2-N24	12.945	BUMPER, F/TNK FIL DR (PART OF 58)	97-98 Y	2	3547884
62.	2-N24	12.945	ACTUATOR, F/TNK FIL DR LK (INCLS FUEL DOGR RELEASE LEVER)	97-98 Y	1	10275633
63.		8.917	NUT, HEX W/CON WA 5X1X5.5 16-OD ZP 9 (F/TNK FIL DR LK ACTR) (POSN #2)	97-98	1	11517293
64.	2-N24	12.945	BRACKET, F/TNK FIL DR LK ACTR	97-98 Y	1	10280943
65.		N.S.	RIVET, F/TNK FIL DR LK ACTR BRKT	2	
66.	2-D11	3.162	RETAINER, FUEL FEED & RTN FRT PIPE (PART OF 68)	97-98 Y	3	10276219
67.	2-D11	3.162	CLIP, FUEL PIPE (PART OF 68) ..	97-98 Y	3	10281327
68.	2-D11	3.163	PIPE, FUEL FEED & RTN (INCLS 2, 66-67, 69)	97-98 Y	1	10276216
69.	2-D11	3.162	CLIP, FUEL FEED & RTN PIPE (PART OF 68)	97-98 Y	1	10288898
70.	2-D11	3.163	HOSE, FUEL FEED FRT	97-98 Y	1	10279630
71.	2-D11	3.163	HOSE, FUEL RTN FRT (JMPP) ..	97-98 Y	1	10279629
72.	2-D11	3.162	RETAINER, FUEL RTN PIPE FTG (PART OF 7) (5/16") (7.9MM) (STAINLESS STEEL)	97-98 Y	1	12530144
73.	2-D11	3.163	CAP, FUEL RTN PIPE (PART OF 7)	97-98 Y	1	10254647
74.	2-D11	3.163	CAP, FUEL FEED PIPE (PART OF 5)	97-98 Y	1	10254646
75.	2-D11	3.162	RETAINER, FUEL FEED PIPE FTG (PART OF 5) (3/8") (9.53MM) (STAINLESS STEEL)	97-98 Y	1	12530143

76.	8.948	CLAMP, SPRING BAND HOSE (M16X1) (EVAP EMIS RR HOSE) .	97-98	1	11516255
77.	N.S.	FITTING, FUEL RTN RR PIPE (FUEL RTN RR) (PART OF 7)	1	
78.	N.S.	FITTING, FUEL FEED FRT PIPE (FUEL FEED) (PART OF 5)	1	

RPO DEFINITIONS

LS1 - ENGINE GAS, 8 CYL, 5.7L, SFI, ALUMINUM ENGINE